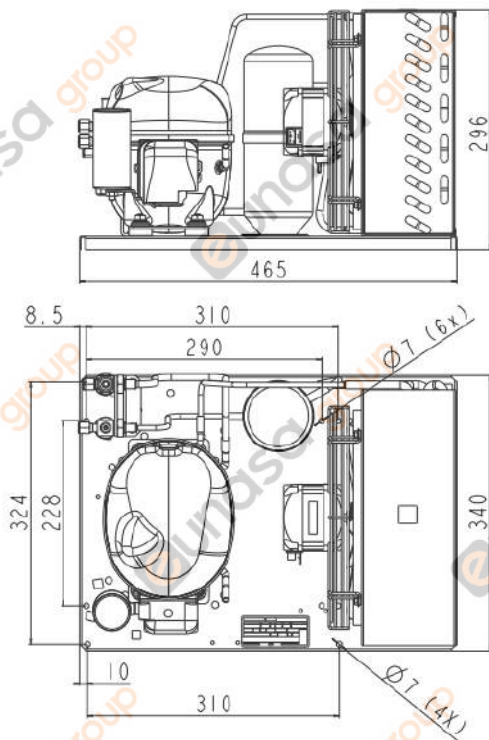


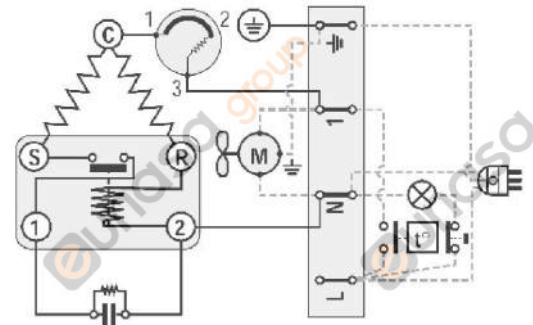
GENERAL DATA

Application:	M/HBP
Refrigerant:	R134a
Expansion Device:	C-V
Weight:	21.7 kg
Receiver:	1.1 liter
Voltage/Frequency:	220 - 240 V 50 ~
Height:	21.7 mm
Length:	465 mm
Width:	340 mm
Institute Approvals:	CE

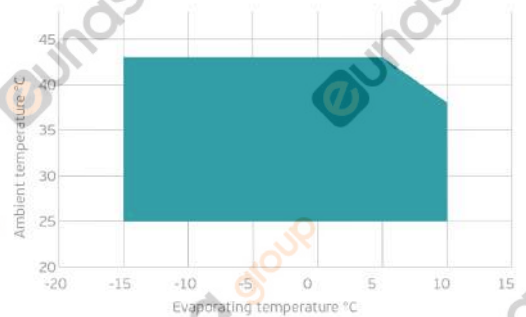
EXTERNAL DIMENSIONS



WIRING DIAGRAM



OPERATING ENVELOPE



COMPONENTS (SPARE PARTS)

condenser:	3R11T	2451206	fankit:	16W 254/28°/5B	1996579
valve_suca:	FLARE 3/8"	2110059	valve_disch:	FLARE 1/4"	2110085
compressor:	NEK6214Z	269JA51..AN	elkit:	ELKOM NEK6214Z	269JA51N1A

ELECTRICAL DATA

Motor Type: CSIR -
Locked Rotor Amperage (RLA): 21,2 A
Max.Current: 5.17 A

At maximum evaporating temperature and maximum ambient temperature.

FAN MOTOR

Number: 1 -
Shaft Power: 16 W
Air Flow: 595 m³/hod
Blade Diameter: 254 mm

PERFORMANCE CURVE DATA

Standard: EN13215 / return gas 20°C, subcooling 3K

50 Hz

	Evaporating Temperature (°C)	Cooling Capacity (W)	Power Consumption (W)	Current Consumption (A)	Efficiency (W)
25°C Ambient Temperature	10°C	1655	782	4.89	2.12
	5°C	1423	704	4.62	2.02
	0°C	1210	634	4.40	1.91
	-5°C	1015	570	4.22	1.78
	Rated point -10°C	839	514	4.08	1.63
	-15°C	681	464	3.98	1.47
32°C Ambient Temperature	10°C	1505	806	5.04	1.87
	5°C	1294	726	4.77	1.78
	0°C	1100	653	4.54	1.68
	-5°C	923	587	4.35	1.57
	Rated point -10°C	762	529	4.21	1.44
	-15°C	619	479	4.11	1.29
43°C Ambient Temperature	5°C	1089	788	4.96	1.38
	0°C	921	704	4.68	1.31
	-5°C	766	628	4.44	1.22
	Rated point -10°C	627	559	4.24	1.12
	-15°C	501	500	4.09	1.00